

EMERGENCY ESCAPE LIGHTING

LOVATO II

MATERIALS:

White, grey or black polycarbonate body

MOUNTING:

Surface (ceiling)

POWER SUPPLY:

Self contained – 220 - 240VAC/50 - 60Hz

Central battery – 220 - 240VAC/50 - 60Hz; 176 - 275VDC

Central battery FZLV – 24VDC

LIGHT SOURCE:

1W, 2W, 3W power LED

Optics

R – escape route

U – universal

CHARGING:

BASIC: max. 24h

STANDARD: max. 24h

PREMIUM: max. 12h; energy-saving electronic charger

AUTONOMY AND BATTERIES:

BASIC: 1h or 3h, Ni-Cd 3,6V batteries

STANDARD: 1h or 3h, Ni-Cd 3,6V batteries

PREMIUM: 1h or 3h, LiFePO₄ 6,4V batteries

INSULATION CLASS:

II or III

IP RATING:

IP41

AMBIENT TEMPERATURE:

t_a: 0°C - +40°C

OPTIONS:

SE – non maintained

SA – maintained

AT – autotest

PT – manual test button

RU – Rubic UNA central monitoring

FZLV – central battery FZLV 24VDC

CB – central battery

ADDITIONAL INFORMATION:

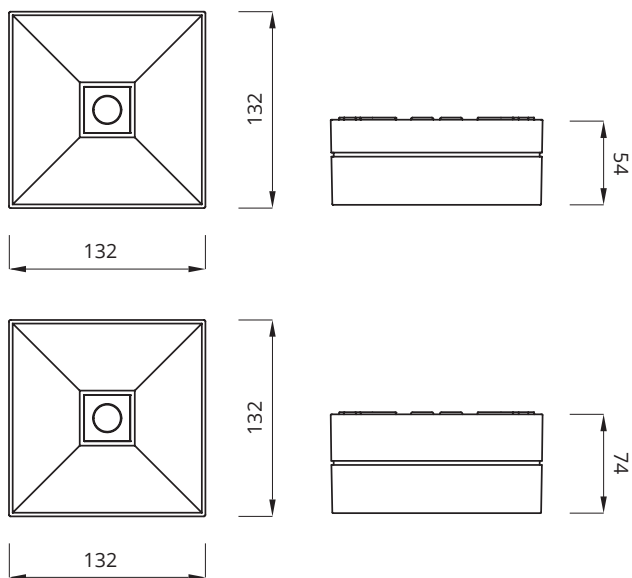
LED indicator signalizes mains power supply and battery charge

Deep discharge protection

III class of insulation of FZLV version



DIMENSIONS (mm):



220-240V AC 50-60Hz	176-275V DC	24V DC	LED	IP41	
		CE	Ni-Cd 	LiFePO ₄ 	

EMERGENCY ESCAPE LIGHTING

SELF-CONTAINED CONFIGURATION:

CODE	POWER	MODULE	AUTONOMY [h]	MODE	OPTIONS	COLOR
BASIC						
LB2R LB2U LV2R LV2U	1W	E	1 3	SE	PT X	WH GR BL
STANDARD						
LB2R LB2U LV2R LV2U	1W	C	1 3	SA	PT X	WH GR BL
LB2R LB2U LV2R LV2U	2W	C	1 3	SA	PT X	WH GR BL
LB2R LB2U LV2R LV2U	3W	C	1 3	SA	PT X	WH GR BL
PREMIUM						
LB2R LB2U LV2R LV2U	1W	B	1 3	SA	AT RU	WH GR BL
LB2R LB2U LV2R LV2U	2W	B	1 3	SA	AT RU	WH GR BL
LB2R LB2U LV2R LV2U	3W	B	1 3	SA	AT RU	WH GR BL

CENTRAL BATTERY CONFIGURATION - NON-ADDRESSABLE

CODE	POWER	MODULE	SYSTEM	OPTIONS	COLOR
LB2R LB2U LV2R LV2U	1W	F	CB	CBS X	WH GR BL
LB2R LB2U LV2R LV2U	2W	F	CB	CBS X	WH GR BL
LB2R LB2U LV2R LV2U	3W	F	CB	CBS X	WH GR BL

CENTRAL BATTERY CONFIGURATION - ADDRESSABLE:

CODE	POWER	MODULE	SYSTEM	OPTIONS	COLOR
LB2R LB2U LV2R LV2U	1W	Z	CB	ADE ADP	WH GR BL
LB2R LB2U LV2R LV2U	2W	Z	CB	ADE ADP	WH GR BL
LB2R LB2U LV2R LV2U	3W	Z	CB	ADE ADP	WH GR BL

FZLV SYSTEM CONFIGURATION:

CODE	POWER	SYSTEM	COLOR
LB2R LB2U LV2R LV2U	1W	FZLV	WH GR BL
LB2R LB2U LV2R LV2U	2W	FZLV	WH GR BL
LB2R LB2U LV2R LV2U	3W	FZLV	WH GR BL

*Output in emergency mode of LB2 is the same like LV2

OUTPUT IN EMERGENCY MODE

POWER	OUTPUT [lm]	
	LV2R	LV2U
BASIC		
1W	120	120
STANDARD		
1W	140	130
2W	240	240
3W	340	350
PREMIUM		
1W	140	140
2W	250	270
3W	370	390

OUTPUT IN EMERGENCY MODE

POWER	OUTPUT [lm]	
	LV2R	LV2U
1W	140	140
2W	250	270
3W	370	390

OUTPUT IN EMERGENCY MODE

POWER	OUTPUT [lm]	
	LV2R	LV2U
1W	140	140
2W	250	270
3W	370	390

OUTPUT IN EMERGENCY MODE

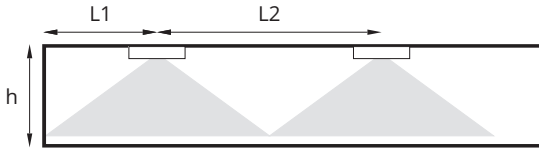
POWER	OUTPUT [lm]	
	LV2R	LV2U
1W	140	140
2W	250	270
3W	370	390

LEGEND:

- LV2R – fixture Lovato II with optics for escape route
- LV2U – fixture Lovato II with universal optics
- LB2R – fixture Lovato II with large Box and optics for escape route
- LB2U – fixture Lovato II with large Box and universal optics
- E – electronic gear for BASIC self-contained fittings
- C – electronic gear for STANDARD self-contained fittings
- B – electronic gear for PREMIUM self-contained fittings
- F – electronic gear for central battery fittings
- Z – electronic gear for addressable central battery fittings
- SE – non maintained
- SA – maintained (with an option of connecting as non-maintained)
- PT – manual test button
- X – fitting without additional options
- AT – autotest
- RU – Rubic UNA central monitoring
- FZLV – central battery FZLV 24 VDC
- CB – central battery version
- CBS – central battery for circuit monitoring
- ADP – central battery with ADP address module – SMART technology
- ADE – central battery with ADE address module
- WH – white color
- GR – grey color
- BL – black color

EMERGENCY ESCAPE LIGHTING

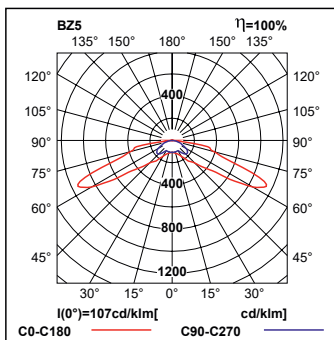
Photometry of LOVATO II - LB2R, LB2U, LV2R, LV2U



L1 - distance from the wall to the first fixture
L2 - distance between fixtures
h - height of the ceiling



LV2R - with optics for escape route



LV2R 1W (140lm) min. 1lx

h [m]	L1	L2
2,50	6,0	14,0
3,00	6,5	15,5
3,50	7,0	17,0
4,00	6,5	18,0

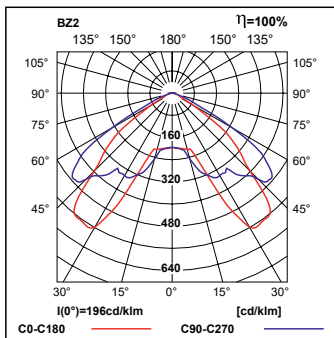
LV2R 2W (250lm) min. 1lx

h [m]	L1	L2
2,50	7,0	16,0
3,00	7,5	17,5
3,50	8,0	19,0
4,00	9,0	21,0
4,50	9,5	22,5
5,00	9,5	24,0
6,00	9,5	25,0

LV2R 3W (370lm) min. 1lx

h [m]	L1	L2
2,50	7,5	17,0
3,00	8,0	18,5
3,50	9,0	20,0
4,00	9,5	22,0
4,50	10,0	23,5
5,00	10,5	25,0
6,00	10,5	27,0

LV2U - with universal optics



LV2U 1W (140lm) min. 0,5lx

h [m]	L1	L2
2,50	3,0	7,0
3,00	3,5	7,5
3,50	3,5	8,5
4,00	4,0	9,5
4,50	4,0	10,0
5,00	4,0	10,5
6,00	4,0	10,5

LV2U 2W (270lm) min. 0,5lx

h [m]	L1	L2
2,50	3,5	7,5
3,00	3,5	9,0
3,50	4,0	10,0
4,00	4,5	11,0
4,50	4,5	12,0
5,00	5,0	12,5
6,00	5,5	13,5

LV2U 3W (390lm) min. 0,5lx

h [m]	L1	L2
2,50	3,5	8,5
3,00	4,0	9,5
3,50	4,0	10,5
4,00	5,0	11,0
4,50	5,5	12,5
5,00	5,5	13,5
6,00	6,0	15,0

*photometry of LB2 is the same like LV2